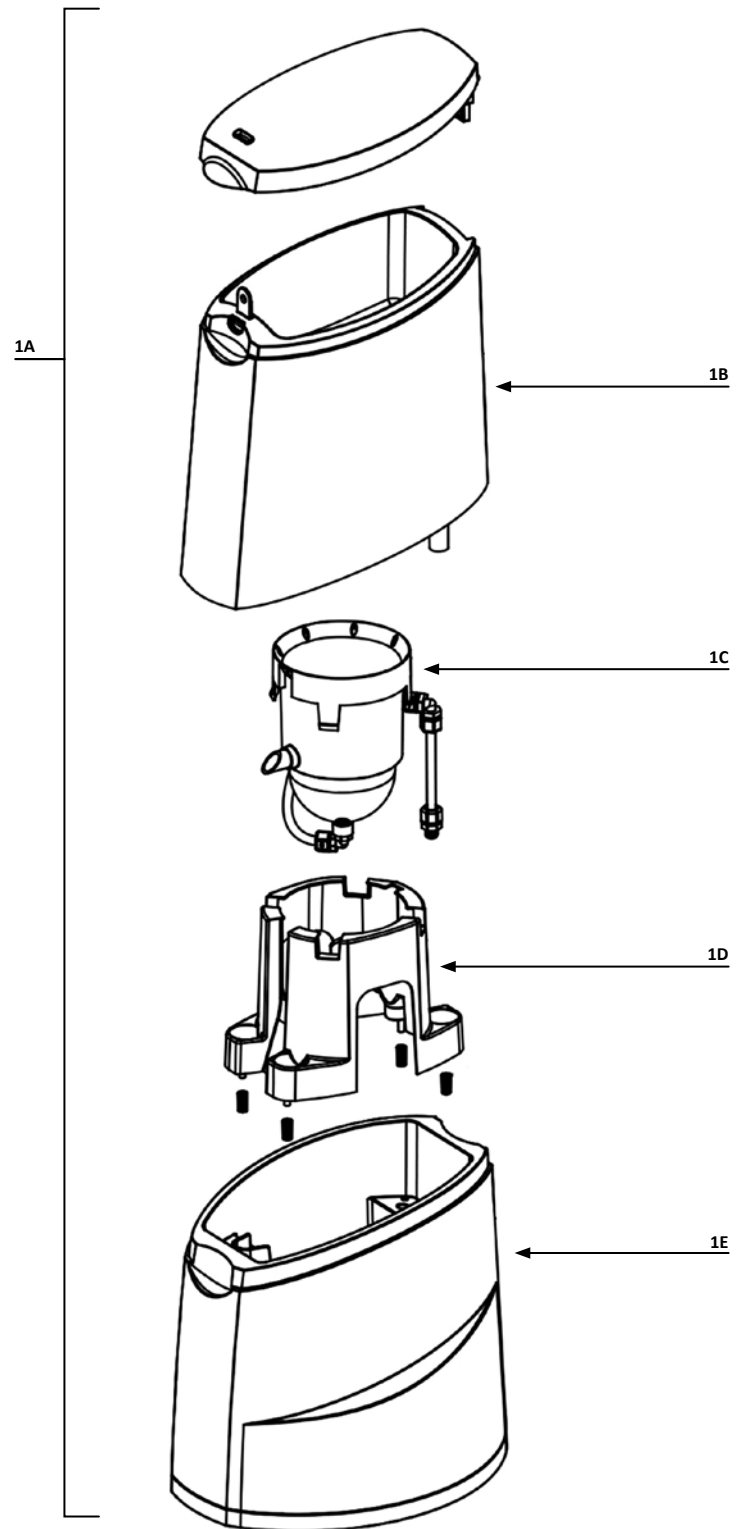
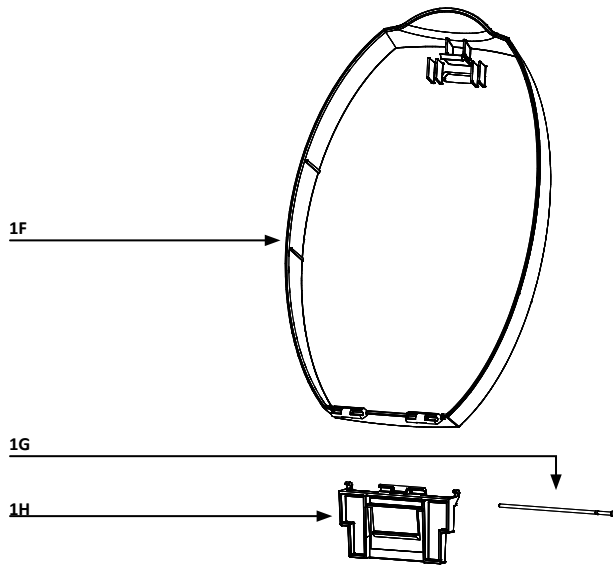


10.2 Replacement Parts List and Views

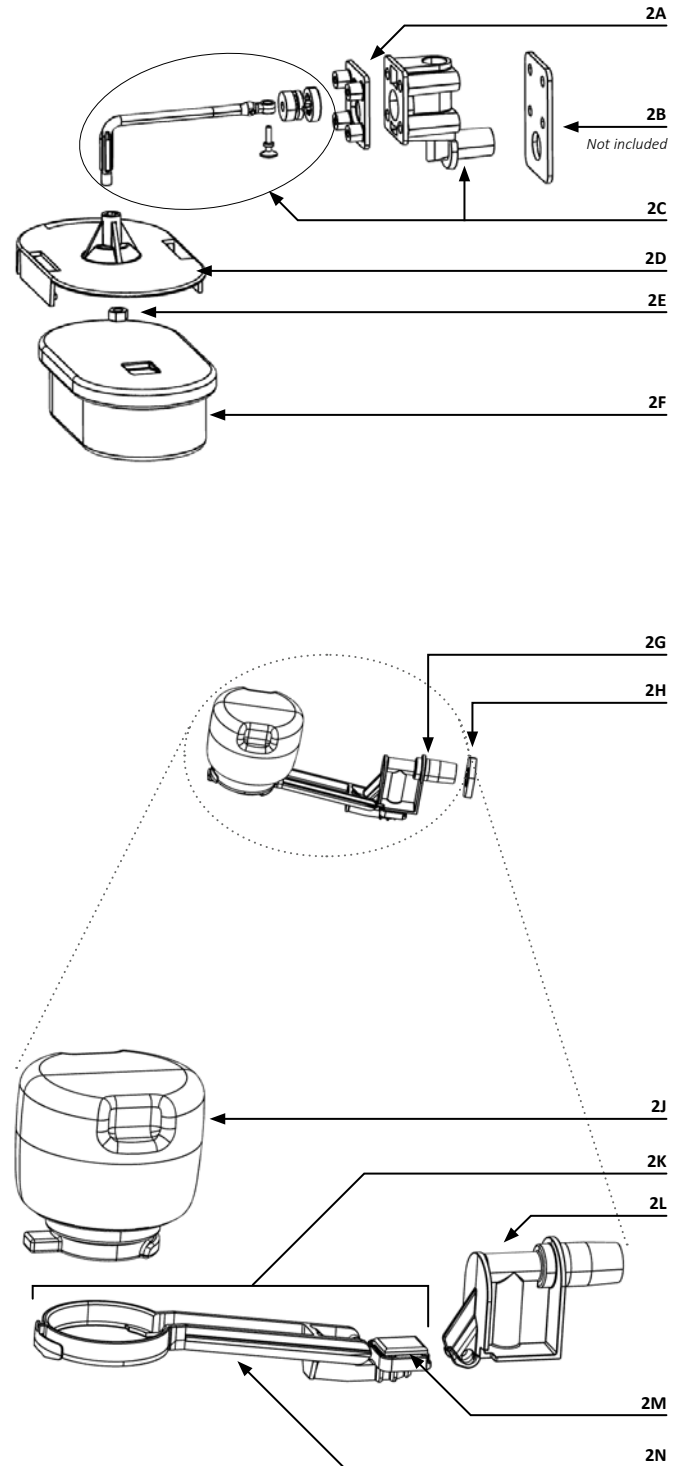
Part	Description	Part No.
1	FEEDER EXTERIOR COMPONENTS	
1A	Pulsar® Precision 30 Feeder	73379
1B	Pulsar® Precision 30 Hopper	251585
1C	HCE Bowl	233308
1D	HCE 30 Frame	251586
1E	Pulsar® Precision Base	251573
1F	Pulsar® Precision Lid	251578
1G	Pulsar® Hinge Pin	251570
1H	Pulsar® Lid Hinge	251575

Figure 4. Feeder Major Components View



Part	Description	Part No.
2	HOPPER INTERIOR COMPONENTS	
2A	Emergency Shut Off Mounting Plate	205451
2B	Rubber Gasket for Emergency Shut Off Valve	205540
2C	Emergency Shut Off Valve with Arm only	205450
2D	Emergency Shut Off Float Plate	590045
2E	Emergency Shut Off Float Plate PVC Nut	205453
2F	Emergency Shut Off Overflow Float	205454
2G	Discharge Valve Gasket (not shown)	938033
2H	Discharge Valve Lock Nut	938034
2I	Emergency Shut Off Mounting PVC Screws, 1/4"-20 x 2-1/4" (pkg of 4) (not shown)	205452
2J	Discharge Valve Float	206082
2K	Discharge Valve Arm with Seal Pad	206079
2L	Discharge Valve Body	206080
2M	DV Seal Pad Only	251388
2N	DV Arm Only	205960

Figure 5. Feeder Inlet and Discharge Components View



Part	Description	Part No.
3	BASE INTERIOR COMPONENTS AND ESV	
3A	HCE 30 Grid	251588
3B	HCE Diffuser	868047
3C	HCE 30 Nozzle	251584
3D	Parker Fitting F8FE8	205938
3E	Tubing Reducing Union, P8CU6	251587
3F	3/8" PE Tubing 2ft	205486
3G	Parker Fitting, P6MC6	251592

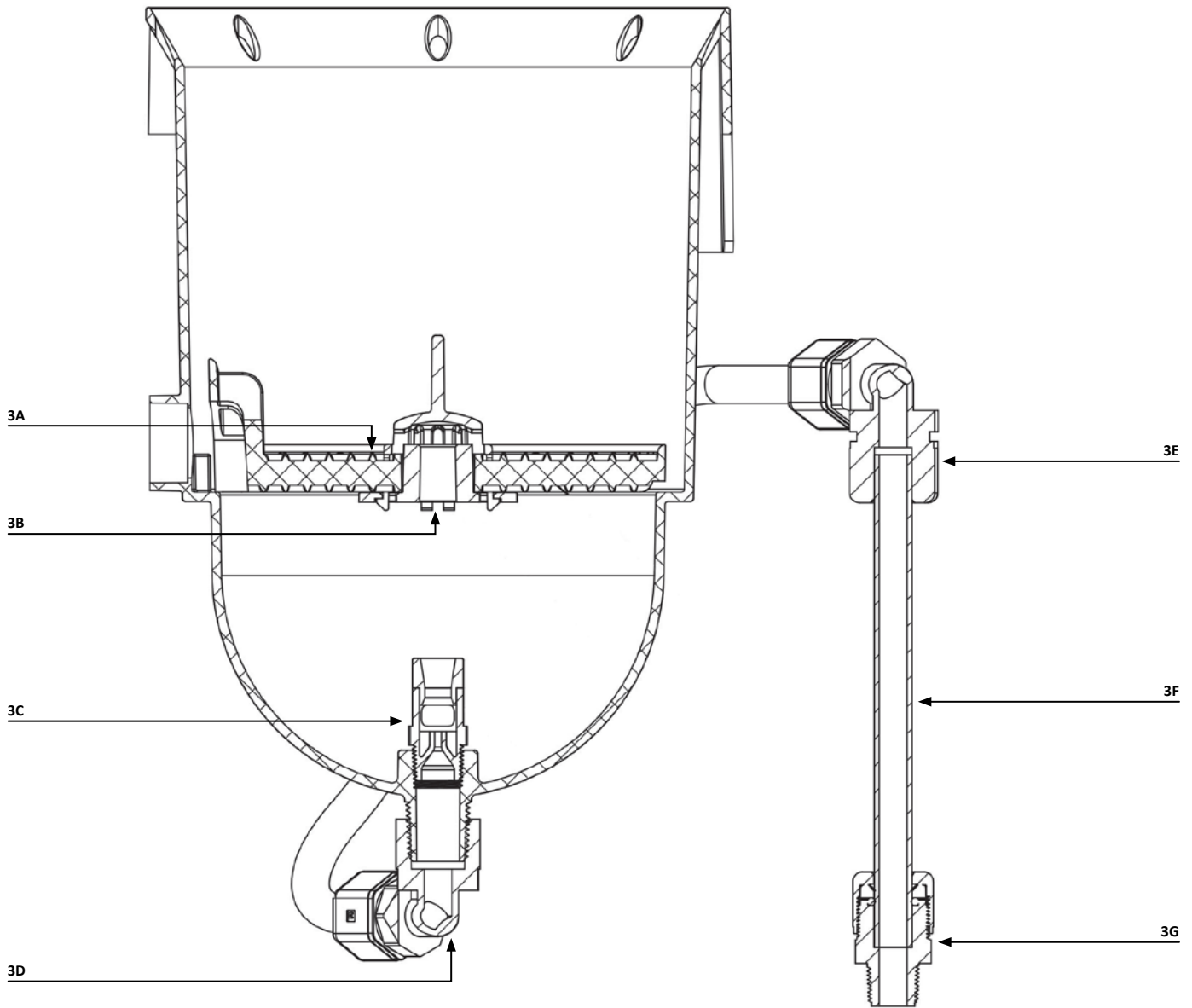


Figure 6. Base Interior Components View

Part	Description	Part No.
4	EXTERIOR COMPONENTS	
4A	45° PVC ½" FNPT Threaded Elbow	205963
4B	½" threaded PVC Nipple, closed	205480
4C	½" FNPT PVC True Union Check Valve	205959
4D	Connector Male ½" P8MC8	71890
4E	20' ½" O.D. PE Tubing	205490
4F	½" FNPT X ½" FNPT PVC Ball Valve	205605
4G	Tube Connector (P8MC4)	205483
4H	Flow Indicator 0-2 gpm	205634
4I	ORP/Below Grade Installation Kit for Small Feeder	205562

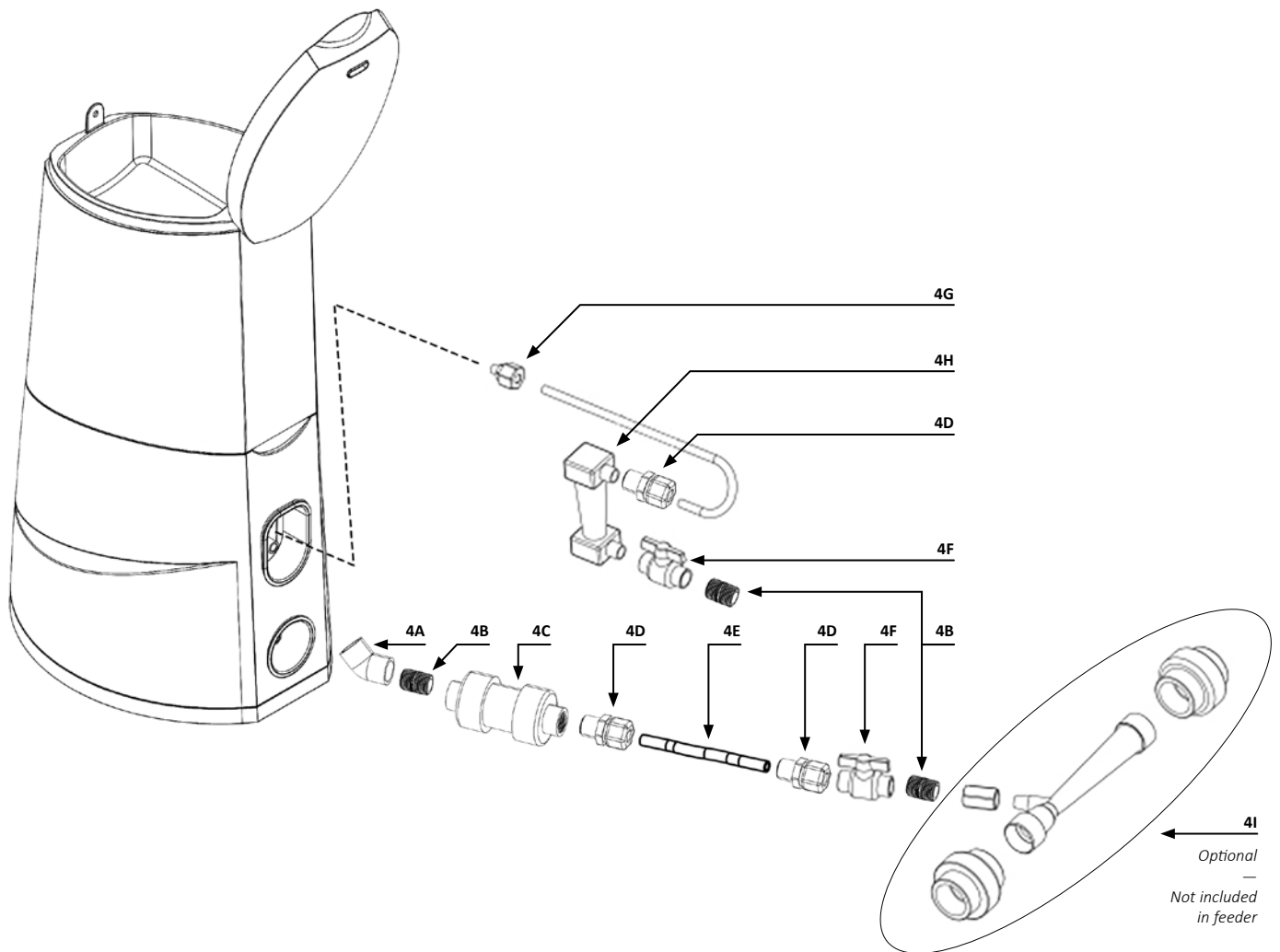


Figure 7. Exterior Components View