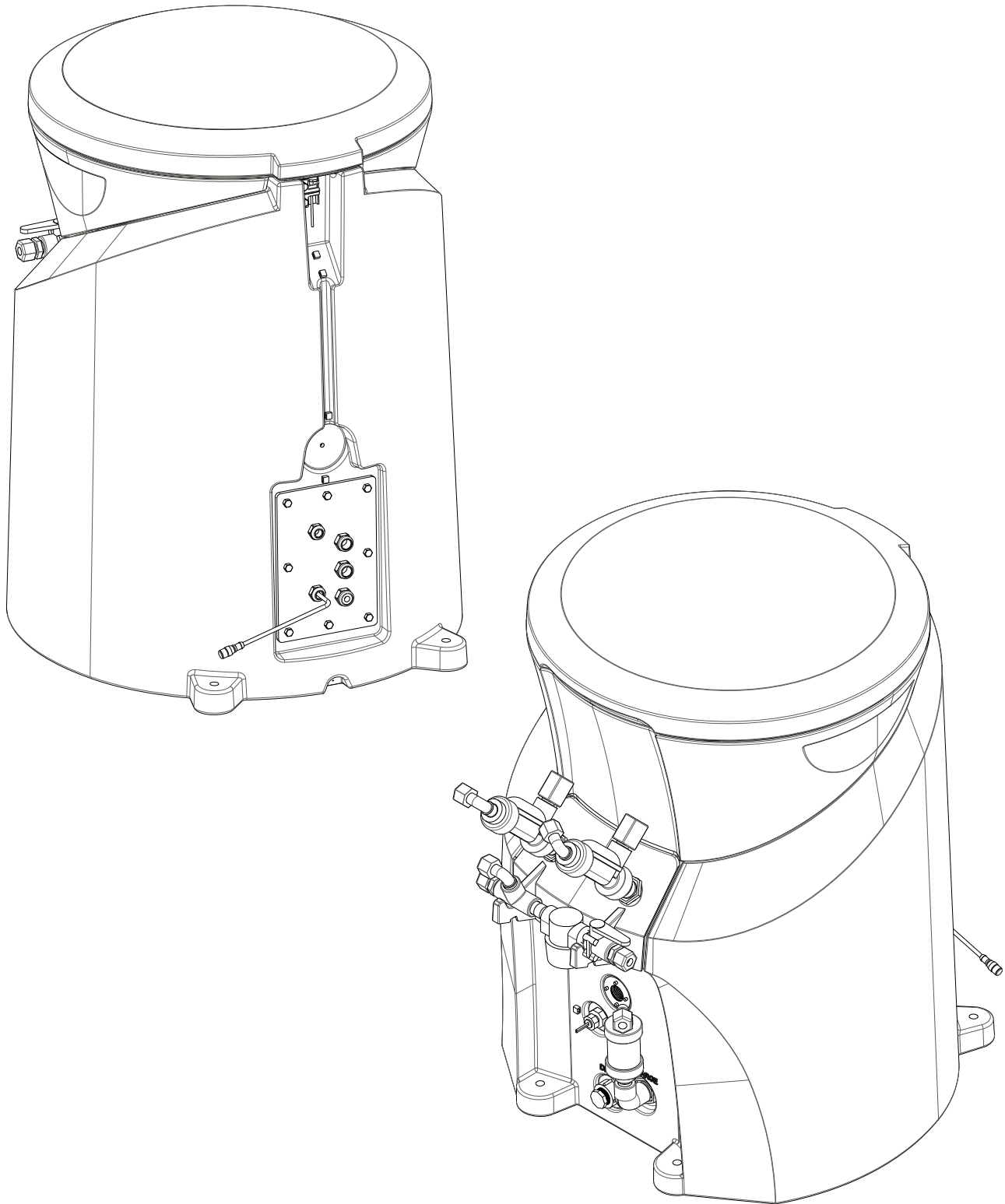


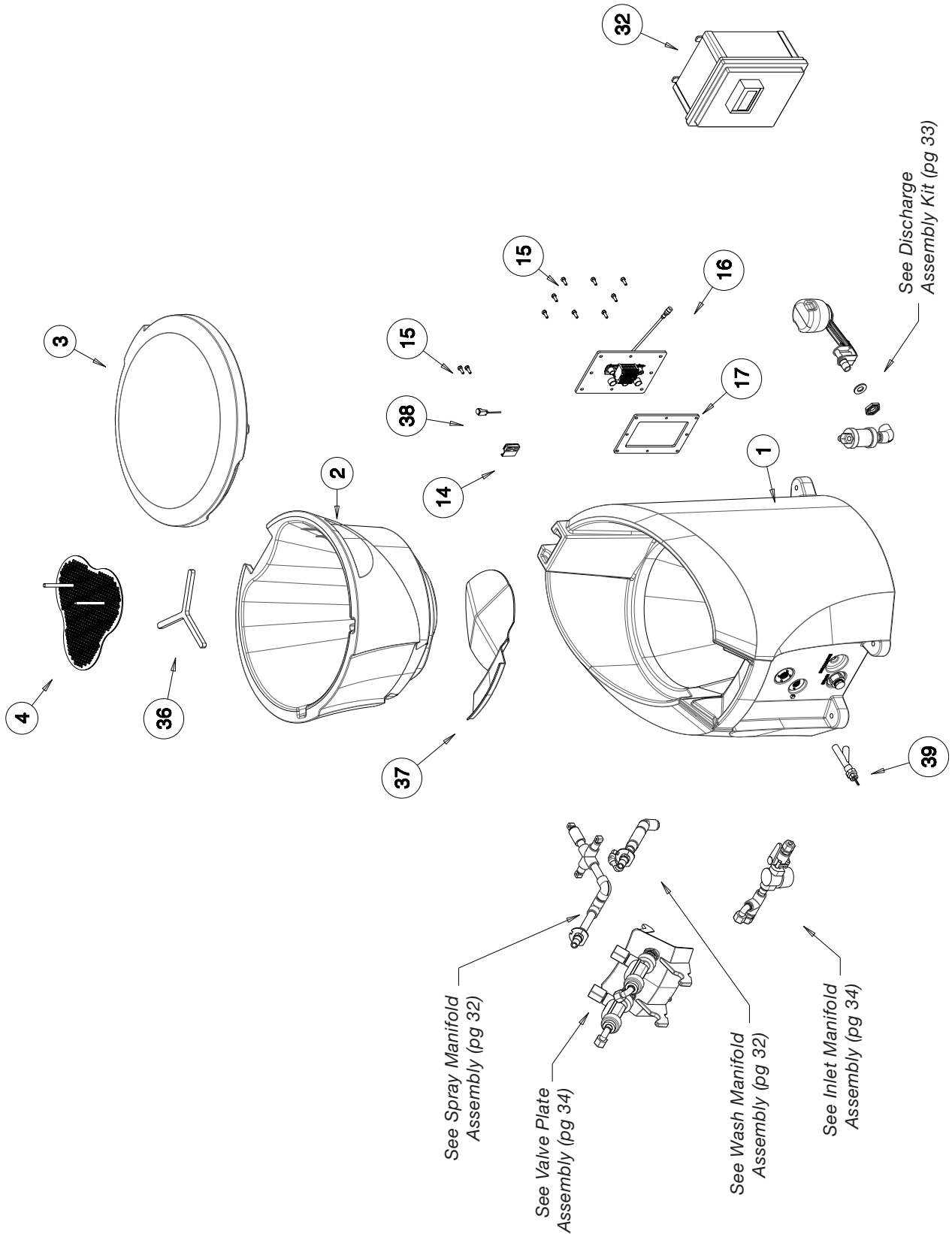
Pulsar® 140 Feeder: Detailed View

See pgs 36-37 for Diagram Descriptions



Pulsar® 140 Feeder: Detailed View

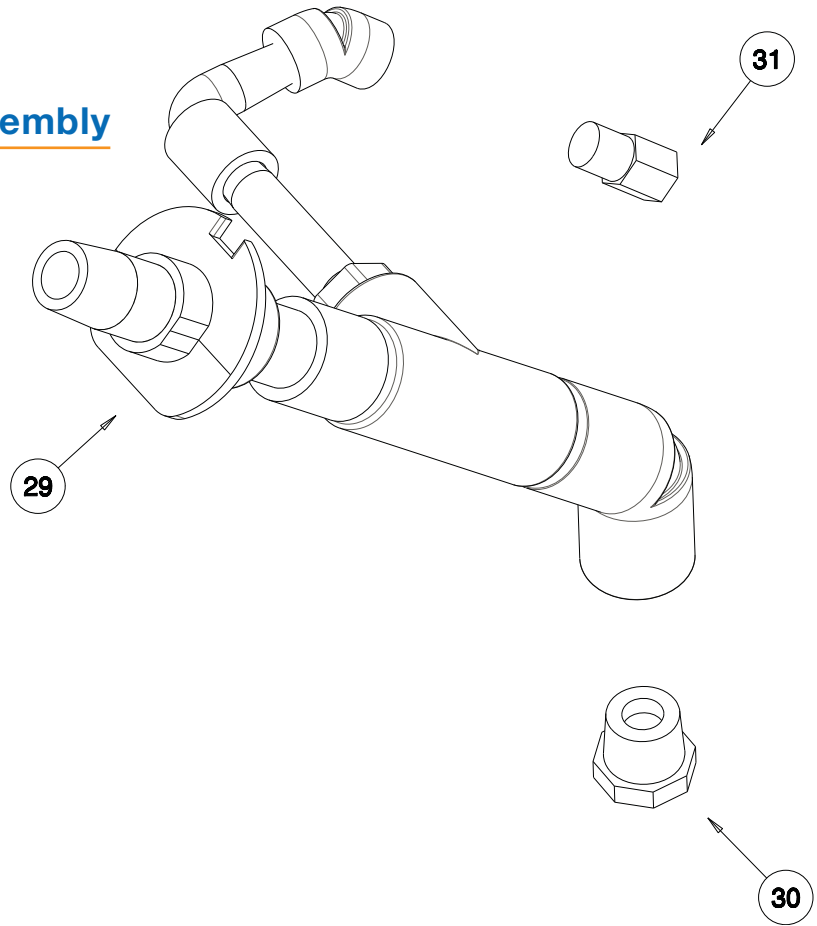
See pgs 36-37 for Diagram Descriptions



Pulsar® 140 Feeder: Assembly Views

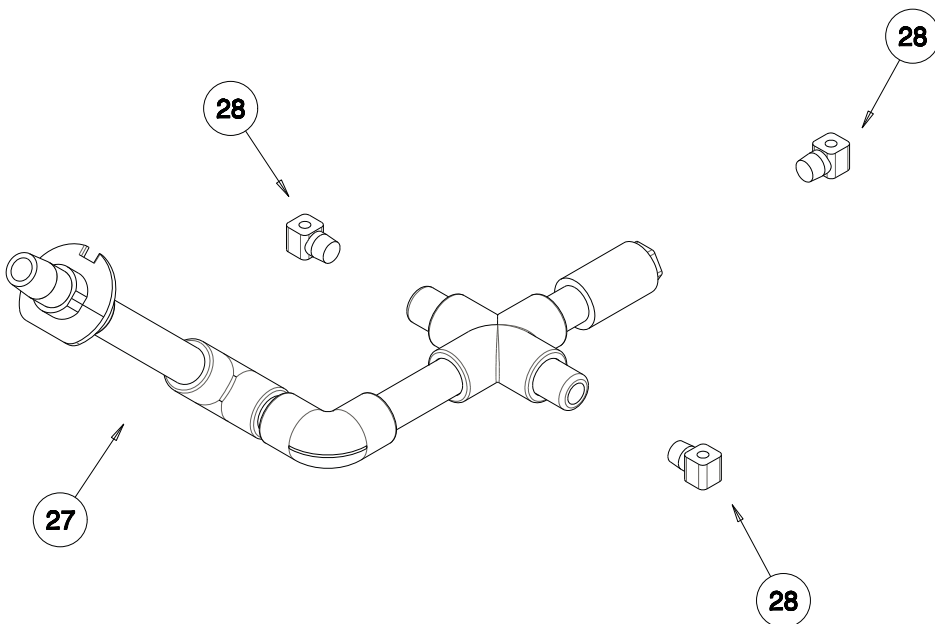
See pgs 36-37 for Diagram Descriptions

Wash Manifold Assembly



Spray Manifold Assembly

See Appendix A for Modifications

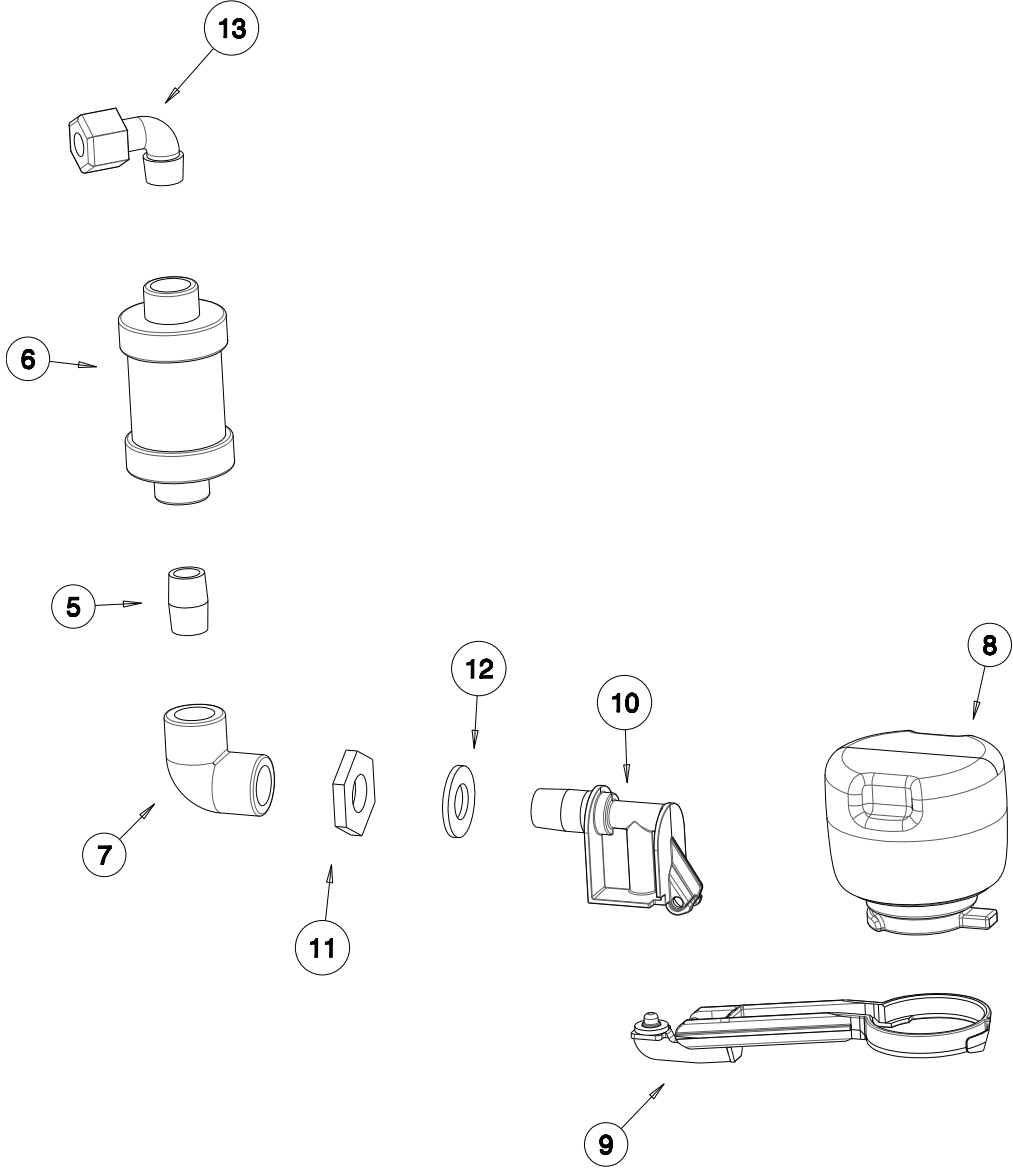


Pulsar® 140 Feeder: Assembly Views

See pgs 36-37 for Diagram Descriptions

Discharge Assembly Kit

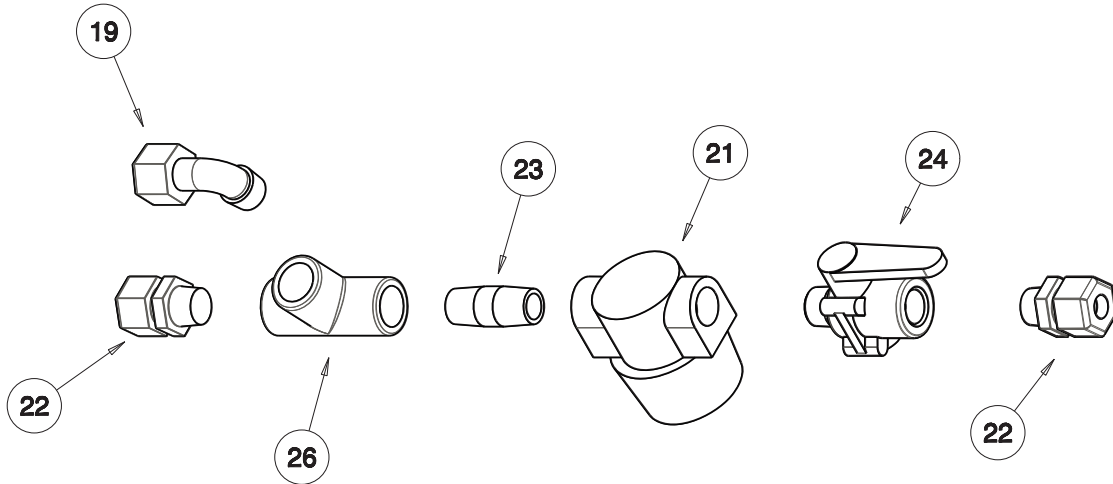
See Appendix B for Check Valve Orientation Info



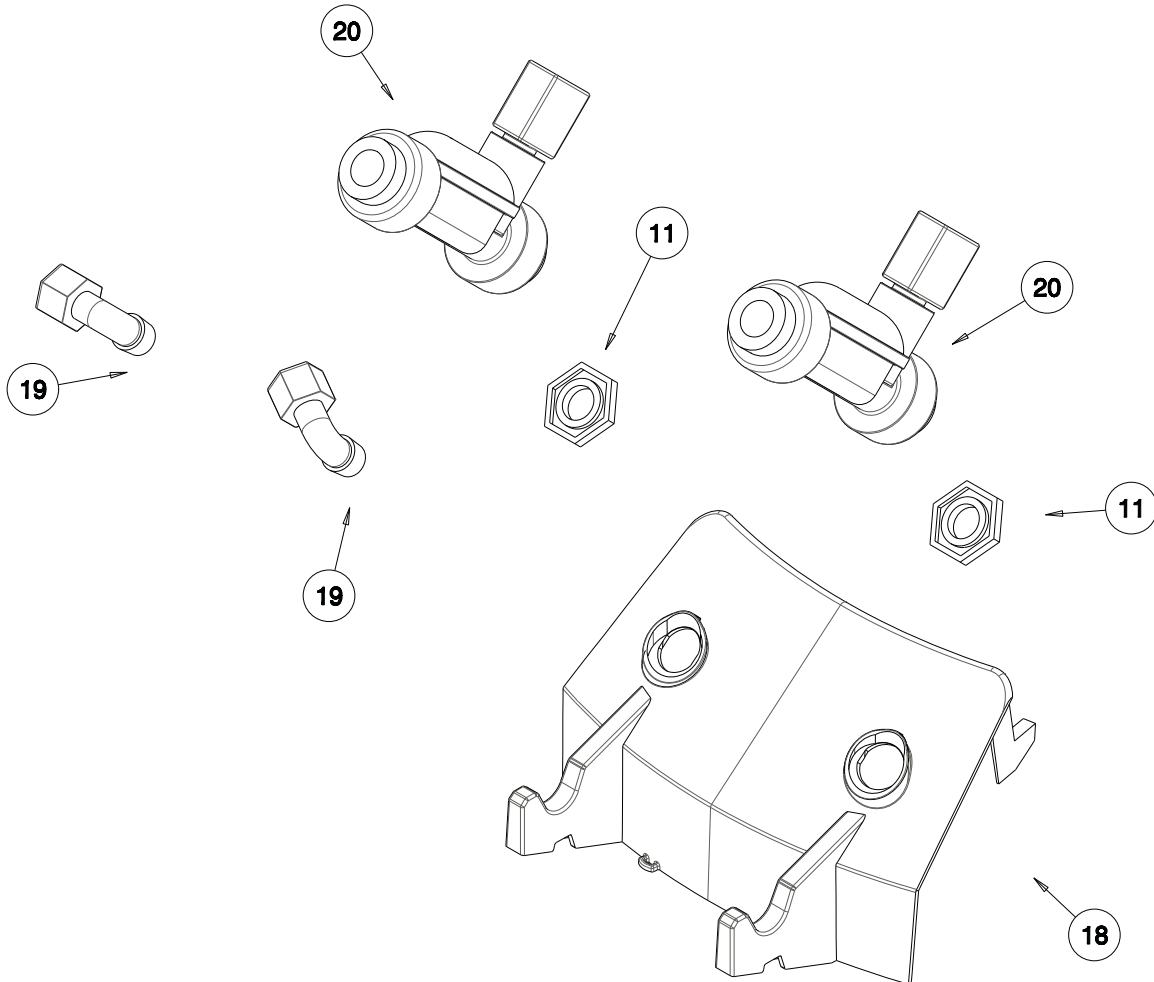
Pulsar® 140 Feeder: Assembly Views

See pgs 36-37 for Diagram Descriptions

Inlet Manifold Assembly



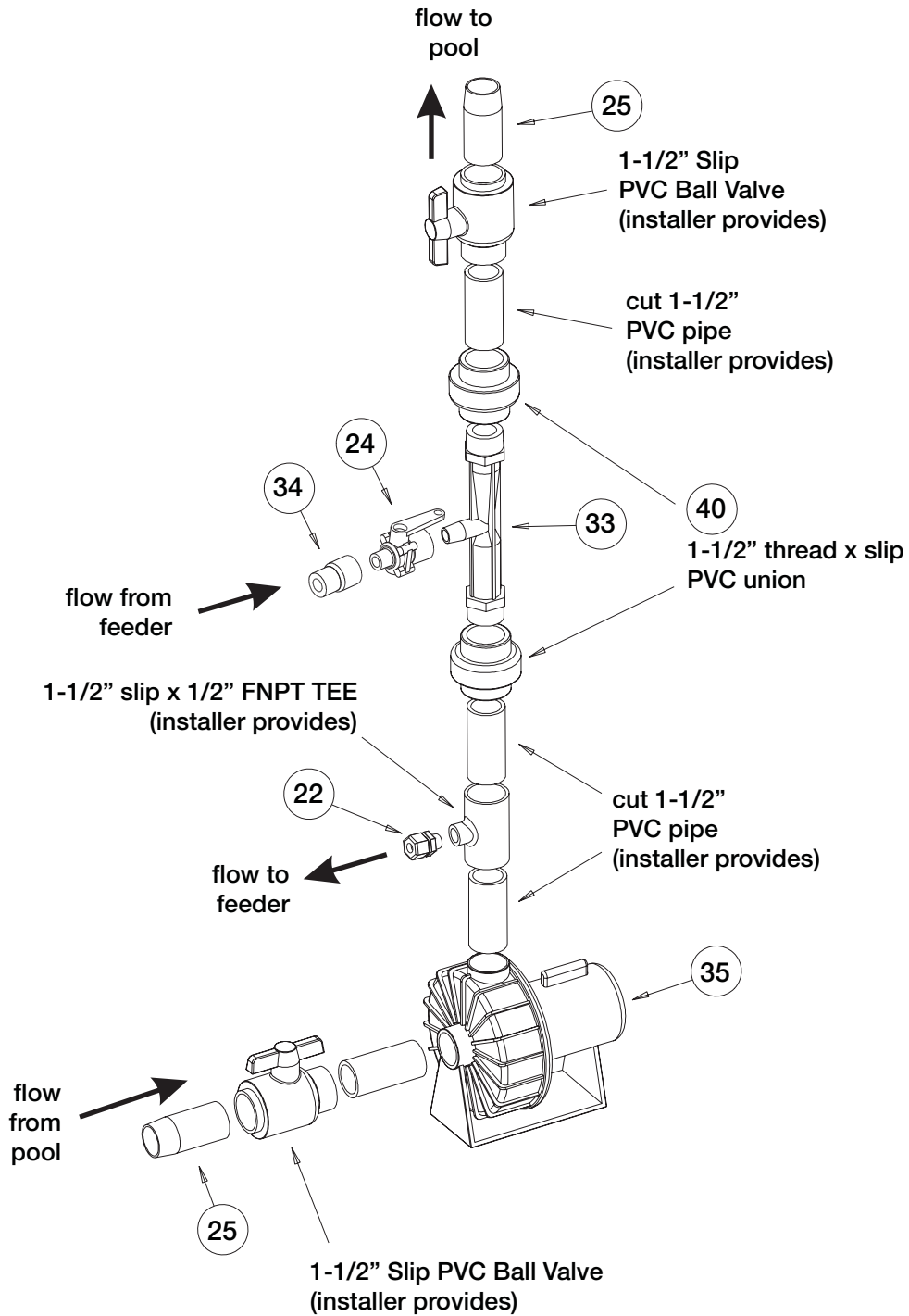
Valve Plate Assembly



Pulsar® 140 Feeder: Assembly Views

See pgs 36-37 for Diagram Descriptions

Pulsar® Installation Kit



Pulsar® 140 Feeder: Diagram Descriptions

Diagram Number	Location	Part Number	Qty/ Unit	Description
1	MOLDED BASE ASSEMBLY	79633	1	MOLDED BASE WITH INSERTS
2	HOPPER ASSEMBLY	79638	1	HOPPER
3	LID ASSEMBLY	79639	1	LID
4	HOPPER ASSEMBLY	79652	2	GRID
5	DISCHARGE ASSEMBLY KIT	71916	1	1/2" X 1-1/2" NIPPLE
6	DISCHARGE ASSEMBLY KIT	79218	1	CHECK VALVE
7	DISCHARGE ASSEMBLY KIT	79222	1	1/2" INCH PVC ELBOW
8	DISCHARGE ASSEMBLY KIT	79810	1	DV Float
9	DISCHARGE ASSEMBLY KIT	79805	1	DV Arm
10	DISCHARGE ASSEMBLY KIT	79806	1	DV BODY
11	DISCHARGE ASSEMBLY KIT	71583	1	DV NUT
11	VALVE PLATE ASSEMBLY	71583	2	DV NUT
12	DISCHARGE ASSEMBLY KIT	71576	1	DV GASKET
13	DISCHARGE ASSEMBLY KIT	71898	1	W8ME8
14	BASE ADD ON'S (Features)	79647	1	BRACKET LID SWITCH
15	BASE ADD ON'S (Features)	76360	10	ISOPLAST BOLT 1/4 - 20 X 3/4"
16	BASE ADD ON'S (Features)	79616	1	J-BOX ASSEMBLY WITH TURCK CABLE
17	BASE ADD ON'S (Features)	79618	1	J-BOX GASKET
18	VALVE PLATE ASSEMBLY	79625	1	VALVE PLATE (SOMERSET)
19	VALVE PLATE ASSEMBLY	71898	2	W8ME8
19	INLET MANIFOLD ASSEMBLY	71898	1	W8ME8
20	VALVE PLATE ASSEMBLY	79664	2	SOLENOID (ASCO 8212A519S0100F1)
21	INLET MANIFOLD ASSEMBLY	79812	1	LINE STRAINER ASSEMBLY
22	INLET MANIFOLD ASSEMBLY	71890	2	W8MC8
22	INSTALLATION KIT	71890	1	W8MC8
23	INLET MANIFOLD ASSEMBLY	76255	1	PVC THREADED NIPPLE - 1/2" NPT X 2"
24	INLET MANIFOLD ASSEMBLY	71627	1	MF BALL VALVE
24	INSTALLATION KIT	71627	1	MF BALL VALVE
25	INSTALLATION KIT	71548	1	1-1/2" x 12" PVC THREADED NIPPLE
26	INLET MANIFOLD ASSEMBLY	71912	1	1/2" NPT TEE
27	SPRAY MANIFOLD ASSEMBLY	79657	1	SPRAY MANIFOLD
28	SPRAY MANIFOLD ASSEMBLY	71617	3	422.406.5E.BC NOZZLE

Pulsar® 140 Feeder: Diagram Descriptions

Diagram Number	Location	Part Number	Qty/ Unit	Description
29	WASH MANIFOLD ASSEMBLY	79649	1	WASH MANIFOLD
30	WASH MANIFOLD ASSEMBLY	79660	1	AGITATION NOZZLE
31	WASH MANIFOLD ASSEMBLY	79817	1	WASH-DOWN NOZZLE (460.644)
32	CONTROL PANEL	79816	1	CONTROL PANEL WITH IDEC FT1A TOUCH
33	INSTALLATION KIT	71811	1	VENTURI (MAZZEI 1585X)
34	INSTALLATION KIT	71588	1	P8FC8
35	INSTALLATION KIT	79214	1	BOOSTER PUMP
36	HOPPER ASSEMBLY	79654	1	GRID SUPPORT
37	MOLDED BASE ASSEMBLY	79635	1	SHIELD 79656
38	BASE ADD ON'S (Features)	79688	1	LID SAFETY SWITCH (INCLUDED WITH 79616)
39	BASE ADD ON'S (Features)	79840	1	SAFETY OVERFLOW SWITCH (INCLUDED WITH 79616)
40	INSTALLATION KIT	71907	2	1-1/2" SLIP x 1-1/2" FNPT PVC UNION

NOT SHOWN IN DIAGRAMS

N/A	CONTROL PANEL	79669	1	FLOW SWITCH
N/A	INSTALLATION KIT	71626	1	20' 1/2"OD LDPE TUBING
N/A	MOLDED BASE ASSEMBLY	HD/Local	6	MOUNT CABLE TIE
N/A	MOLDED BASE ASSEMBLY	HD/Local	6	CABLE TIE
N/A	BASE DRAIN ASSEMBLY	HD/Local	1	3/4" PVC HEX PLUG
N/A	BASE DRAIN ASSEMBLY	79621	1	INLET DRAIN SIPHON ASSEM
N/A	VALVE PLATE ASSEMBLY	HD/Local	1	1/2" OD LDPE TUBING 24" LONG
N/A	VALVE PLATE ASSEMBLY	HD/Local	1	1/2" OD LDPE TUBING 18" LONG
N/A	MISCELLANEOUS		1	MANUALS
N/A	MISCELLANEOUS		1	WARRANTY CARD