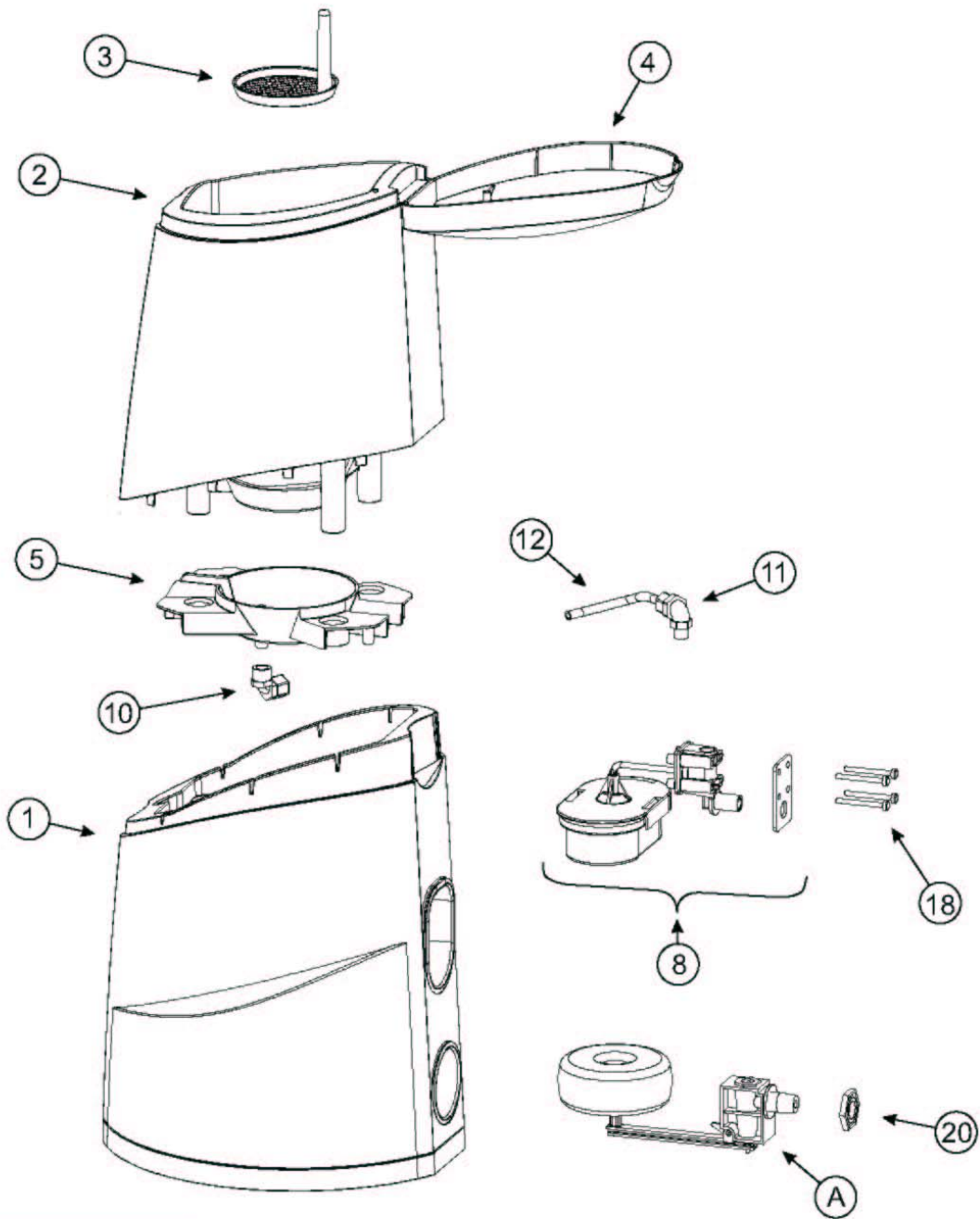
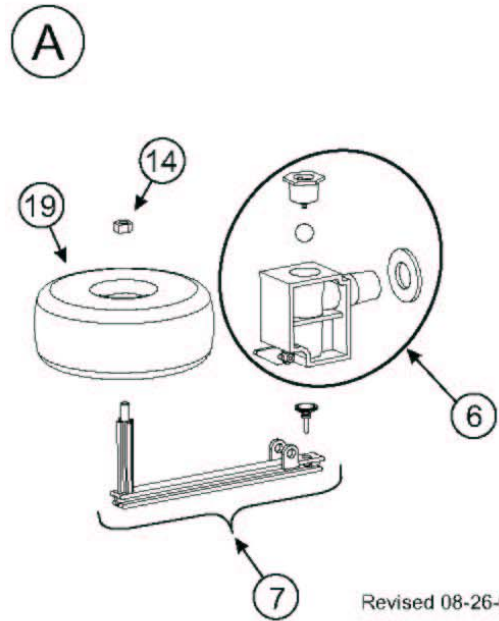
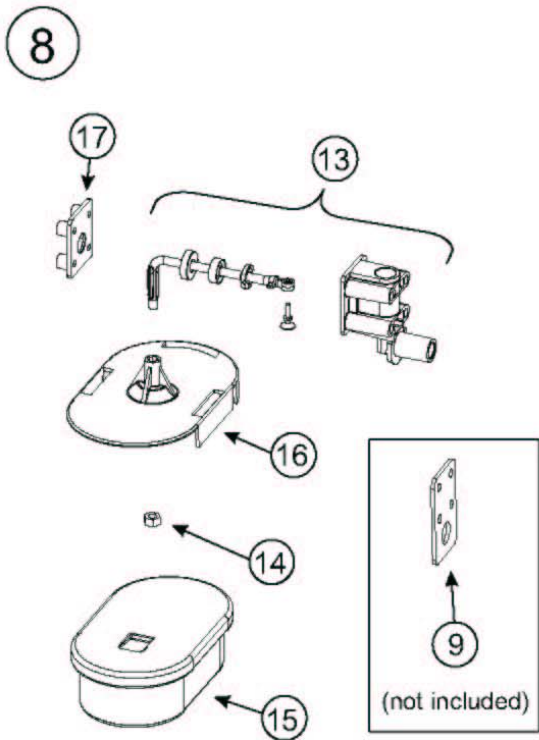
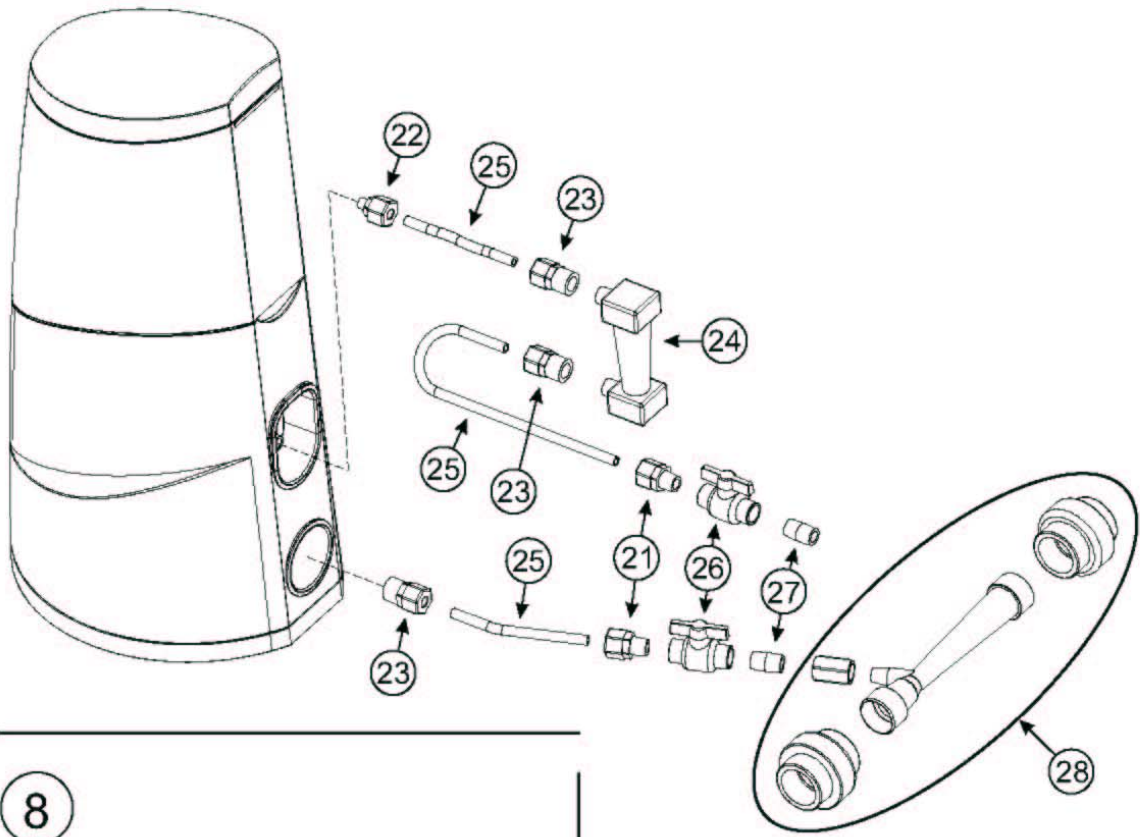


Pulsar 1 Feeder Detailed View



Not shown: Cleaning Pan

Revised 08-26-03



Revised 08-26-03

Pulsar 1

Diagram Number	Part Number	Qty	Description
0	71803	1	Pulsar 1 Feeder
1	74066	1	P1 Base
2	74065	1	P1 Hopper
3	74068	2	P1 Grid
4	74067	1	P1 Lid
5	74062	1	P1 Dissolving Cup with Nozzles Assembly
6	71615	1	Discharge Valve Body with Plug, Ball & Gasket
7	71584	1	Discharge Valve Arm with Suction Cup
8	71496	1	Emergency Shut Off Valve Assembly - Part 71910 Not Included
9	71910	1	Rubber Gasket for Emergency Shut Off Valve
10	74059	1	Parker Fitting W6FE4
11	71619	1	Elbow (W6ME6) 3/8" For Feeders 30991 & P3, P1
12	71618	1	3/8" PE Tubing (2 ft)
13	71535	1	Emergency Shut Off Valve with Arm Only
14	71538	2	Emergency Shut Off Float Plate PVC Nut/Discharge Arm Nut
15	71540	1	Emergency Shut Off Overflow Float
16	71539	1	Emergency Shut Off Float Plate
17	71536	1	Emergency Shut Off Mounting Plate
18	71537	1	Emergency Shut Off Mounting PVC Screws(1/4x20x2 1/4)
19	71585	1	Discharge Valve Float
20	71583	1	Discharge Valve Locknut
21	71890	2	Parker Fitting, W8MC8 (also for solenoid)
22	71614	1	Tube Connector (P8MC4) for P3
23	71588	3	(5008) 1/2" X 1/2" Female Connector (P8FC8)
24	74060	1	Flow Indicator - P1
25	71626	1	20' 1/2" O.D. PE Tubing(P4 only need 3 inch piece)
26	74061	2	1/2" FNPT x 1/2" FNPT PVC Ball Valve
27	71611	2	1/2" X close PVC Nipple
28	71974	1	ORP/Below Grade Installation Kit for Small Feeder
29	74145	1	P1 Cleaning Pan

Number 29 not pictured

9/10/2003